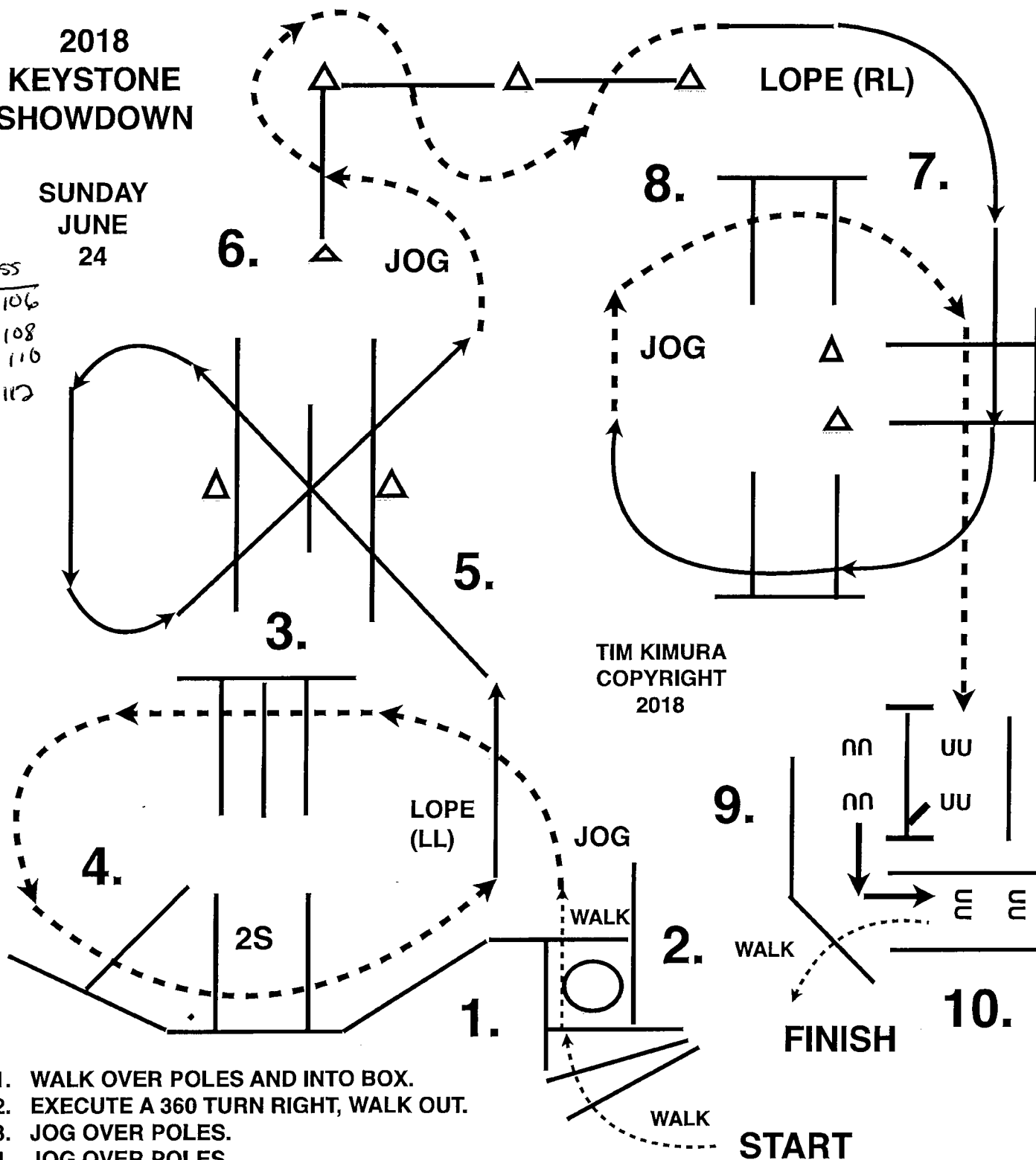


2018
KEYSTONE
SHOWDOWN

SUNDAY
JUNE
24

Class
105, 106
107, 108
109, 110
111, 112



TIM KIMURA
COPYRIGHT
2018

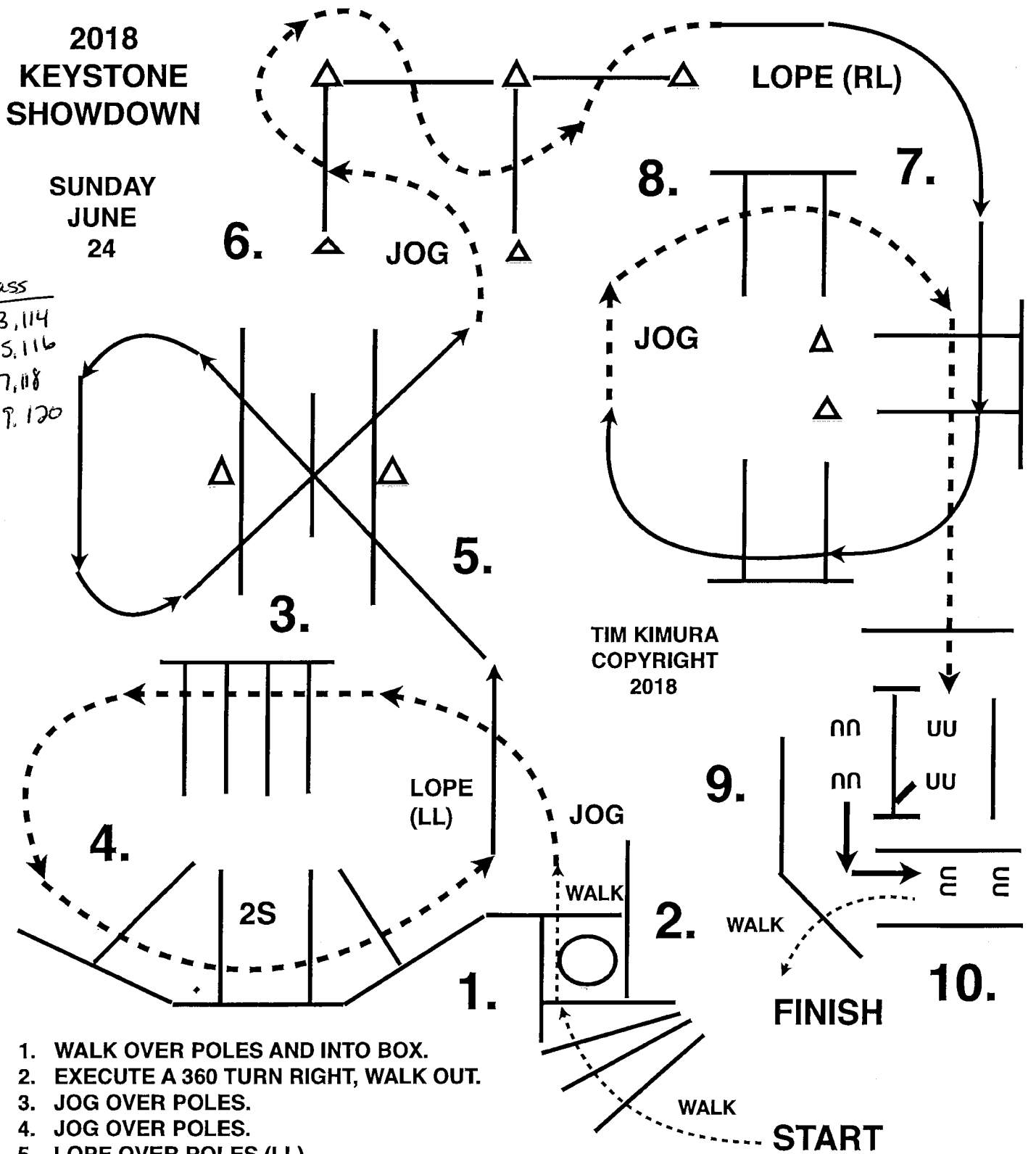
1. WALK OVER POLES AND INTO BOX.
2. EXECUTE A 360 TURN RIGHT, WALK OUT.
3. JOG OVER POLES.
4. JOG OVER POLES.
5. LOPE OVER POLES (LL).
6. JOG THRU SERPENTINE, JOG OVER POLES.
7. LOPE OVER POLES (RL).
8. JOG OVER POLES, JOG UP TO GATE.
9. GATE: RH OPEN RIDE THRU CLOSE (NO POLE).
10. BACK THRU POLES, AROUND CORNER WALK OUT OVEE POLE

TRAIL:
GREEN - YOUTH
L1 YOUTH - L1 AMATEUR

2018
KEYSTONE
SHOWDOWN

SUNDAY
JUNE
24

Class
113, 114
115, 116
117, 118
119, 120



1. WALK OVER POLES AND INTO BOX.
2. EXECUTE A 360 TURN RIGHT, WALK OUT.
3. JOG OVER POLES.
4. JOG OVER POLES.
5. LOPE OVER POLES (LL).
6. JOG THRU SERPENTINE, JOG OVER POLES.
7. LOPE OVER POLES (RL).
8. JOG OVER POLES, JOG UP TO GATE.
9. GATE: RH OPEN RIDE THRU CLOSE (NO POLE).
10. BACK THRU POLES, AROUND CORNER WALK OUT OVEE POLE

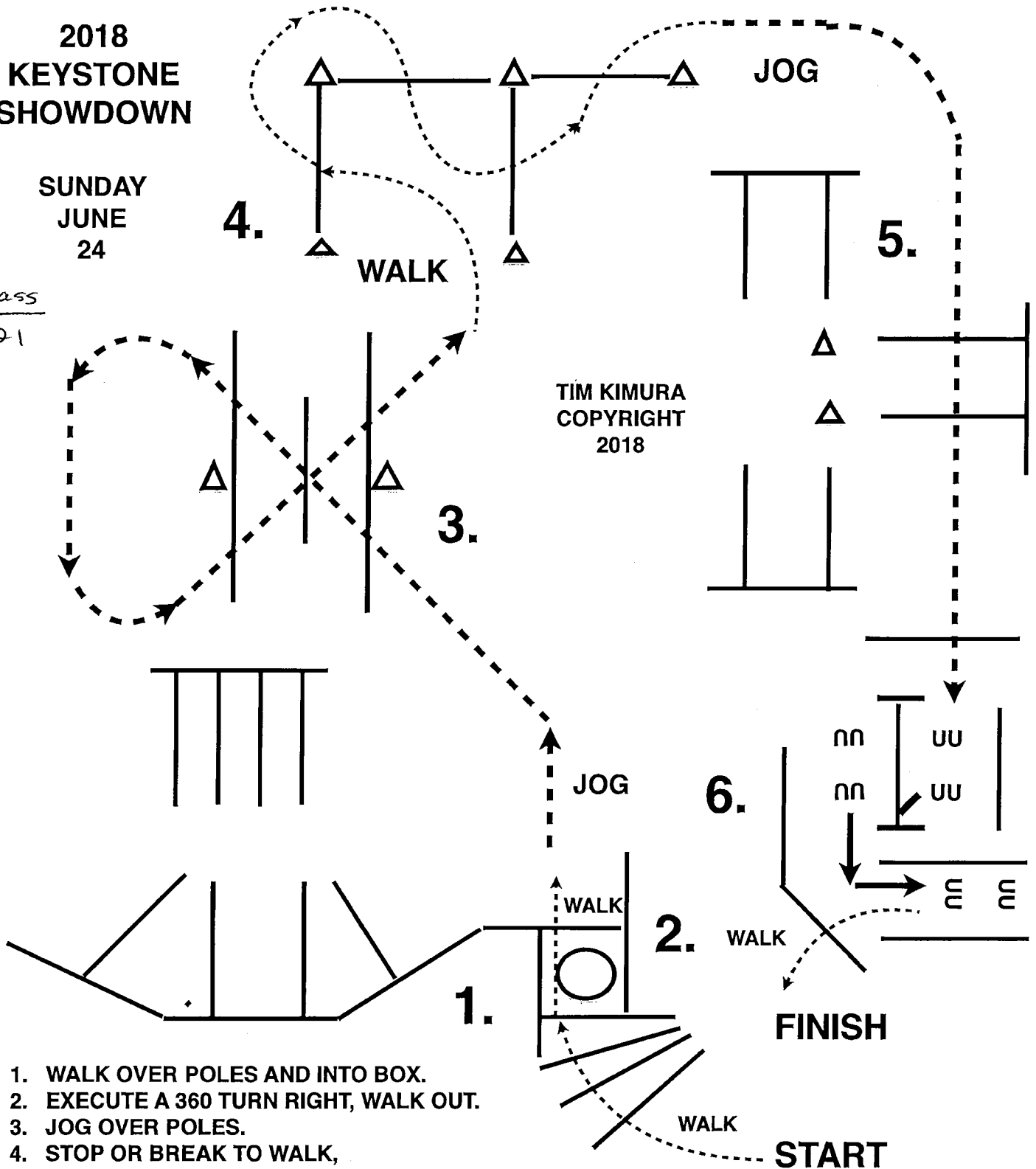
TRAIL:
SELECT - AMATEUR
JUNIOR - SENIOR

**2018
KEYSTONE
SHOWDOWN**

**SUNDAY
JUNE
24**

*Class
121*

TIM KIMURA
COPYRIGHT
2018



1. WALK OVER POLES AND INTO BOX.
2. EXECUTE A 360 TURN RIGHT, WALK OUT.
3. JOG OVER POLES.
4. STOP OR BREAK TO WALK, WALK THRU SERPENTINE, WALK OVER POLES.
5. JOG OVER POLES, JOG UP TO GATE.
6. GATE: WALK THRU TURN RIGHT BACK THRU POLES, AROUND CORNER WALK OUT OVEE POLE

**TRAIL:
SM FRY WT**

Sunday, June 24

Keystone Showdown

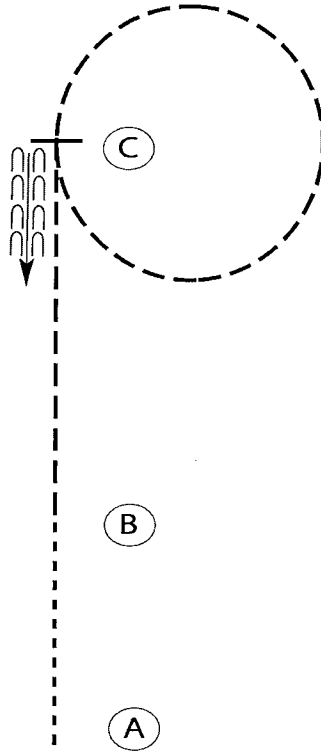
Class
124,125

Walk trot Equitation 11 & Under

Show Date:

W W W . H O R S E S H O W P A T T E R N S . C O M

W W W . H O R S E S H O W P A T T E R N S . C O M



Be ready at A.

1. Walk from A to B.
2. Jog from B to C.
3. Even with C, jog a circle to the right.
4. Stop at C and back one horse length

Retire to the rail or line up at a jog.

Walk	-----
Jog	-----
Extended Jog	-----
Lope	-----
Leg Yield	
Lead Change	—/—
Back	←←←←←
Marker	⊙ B
Sidepass	←-----→

[WH/WT-20]

Pattern Provided by:

Judges

Sunday, June 24

Class

Keystone Showdown

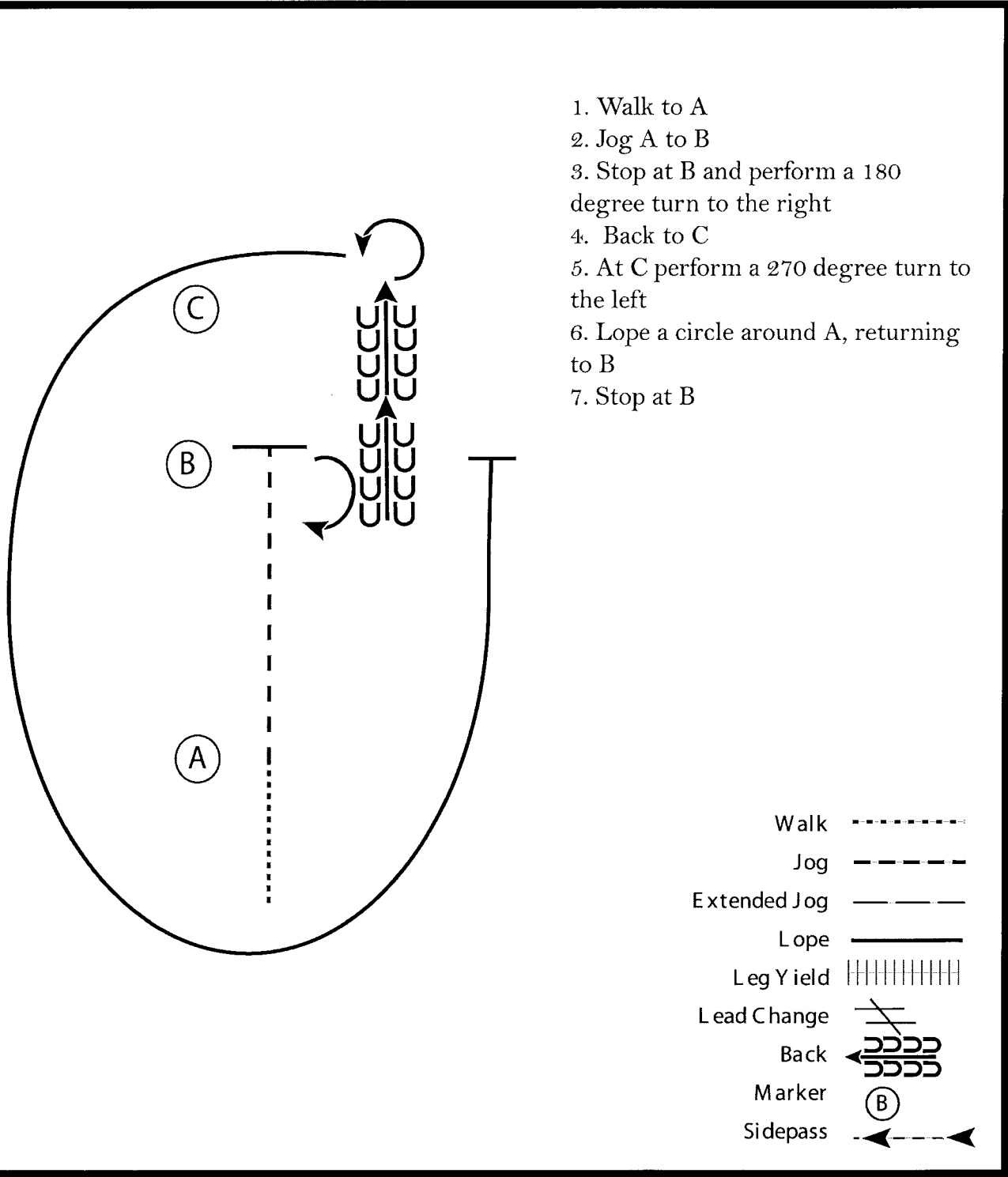
Level 1 youth/amateur/13 and under

Show Date:

128, 129
134, 135
136, 137

w w w . H o r s e S h o w P a t t e r n s . c o m

w w w . H o r s e S h o w P a t t e r n s . c o m



1. Walk to A
2. Jog A to B
3. Stop at B and perform a 180 degree turn to the right
4. Back to C
5. At C perform a 270 degree turn to the left
6. Lope a circle around A, returning to B
7. Stop at B

[WH/2-14]

Pattern Provided by:
Judges

Sunday, June 24

Keystone Showdown

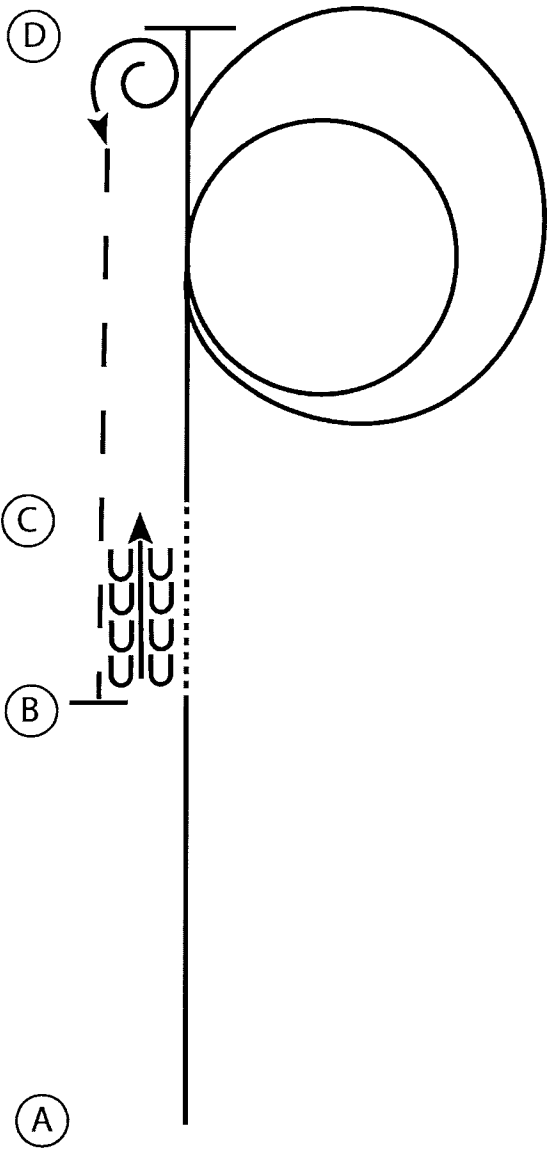
Select, Youth 14-18 and amateur Horsemanship

Show Date:

Class
130, 131
132, 133
138, 139

w w w . H o r s e S h o w P a t t e r n s . c o m

w w w . H o r s e S h o w P a t t e r n s . c o m



1. Lope A to B on the left lead
2. Walk B to C
3. At C lope on the right lead towards D
4. Before D lope a large fast circle to the right followed by a small slow circle to the right and continue to D
5. At D stop and perform a 540 degree turn to the left
6. Extend the jog to B
7. At B stop and back to C

Walk	-----
Jog	- - - - -
Extended Jog	_____
Lope	—————
Leg Yield	
Lead Change	⌘
Back	← C C C C C
Marker	Ⓚ
Sidepass	← - - - - ←

[WH/3-10]

Pattern Provided by:
Judges